

Single Pole

1/2" Automatic, Manual Reset & One Shot

Snap Action Bimetallic Disc

Thermal Cutouts / Temperature Switch



Features

- Snap Action Switch ensures Chatter Free Operation.
- Automatic Reset available with both normally open and normally closed contact.
- Manual Reset - Manually resettable device.
- One Shot - Single operation device.
- Switching System is current insensitive and reacts to external thermal load only.
- Rated at 6, 10 & 16A.
- Operating temperature 40°C to 250°C (at an interval of 10°C).
- Double Break System ensures high switching performance and long service life.
- PPS housing provides, High temperature capability, High Impact strength, Low Static Generation.
- **Imported Bimetal Disc** for better and reliable operation and tamper proof settings.

Applications

- Temperature Controller or over heat Protector for use wherever the temperature of metal surface is to be controlled.
- Overhead Projectors.
- Instant & Storage Water Geysers, Boilers.
- Induction Heating Equipments.
- UPS, Invertors, SMPS, Battery Chargers, Thyrestors, Heat Sinks.
- Flame Proof Equipment & Fire Alarms.
- Domestic Electric Appliances.
- Protects the equipment against overheat by switching of the power supply.

Special Instructions

- Preferably use heat sink compound on sensing surface before mounting thermal cutouts.
- Manual Reset thermal cutouts can be reset only after substantial drop of temperature.
- Use Push On Terminals Only.
- Do not solder the terminals as soldering may cause damage resulting in malfunction of the device & the guarantee will lapse.

TYPE: LU10 / LU11

LU10 : NORMALLY CLOSED
AUTOMATIC RESET

LU11 : NORMALLY OPEN
AUTOMATIC RESET

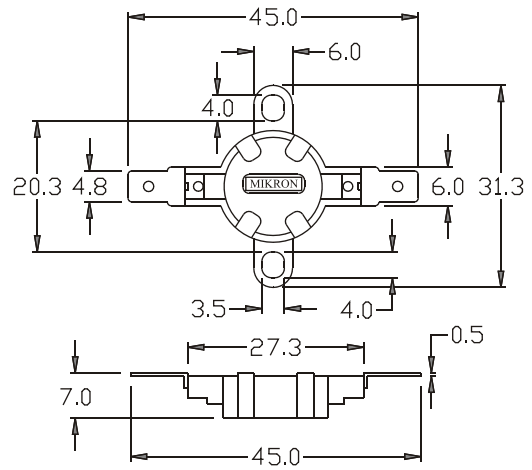
RATING : 6A / 250 V AC 50 HZ

TEMP. RANGE : 40 to 130°C
(IN 10°C INCREMENTS)

TOLERANCE : ± 6°C BUT ATLEAST ± 7K

DIFFERENTIAL : 5 TO 50°C

LU10/LU11



**TYPE: L20 / L21 / L25 / L26 / LH25 / LH26 / L30
(10A - 250V AC)**
**TYPE: L120 / L121 / L125 / L126 / L130
(16A - 250V AC)**

L20/L25/LH25/L120/L125 : NORMALLY CLOSED
AUTOMATIC RESET

L21/L26/LH26/L121/L126 : NORMALLY OPEN
AUTOMATIC RESET

L30/L130 : NORMALLY CLOSED
MANUAL RESET

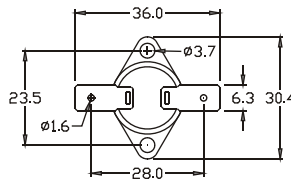
TEMP. RANGE : 40 to 130°C FOR L20, L21,
L30, L120, L121 & L130
140 to 190°C for L25,
L26, L125, L126
200 to 250°C for LH25 & LH26
(IN 10°C INCREMENTS)

TOLERANCE : ± 6°C BUT ATLEAST ± 7K

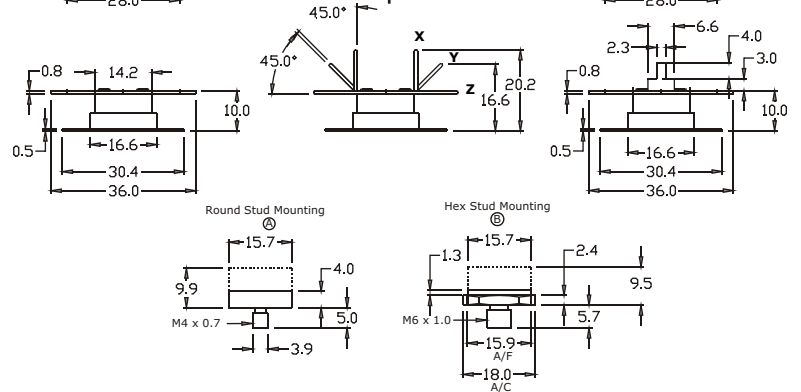
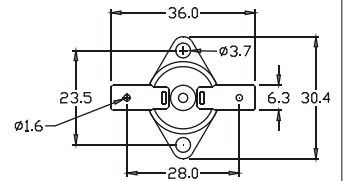
DIFFERENTIAL : 5 TO 50°C

NO LETTER - STD. MOUNTING ROTATING 360°
A - ROUND STUD MOUNTING
B - HEX STUD MOUNTING

**L20/L21/L25/L26/LH25/LH26
L120/L121/L125/L126**



L30/L130



[Dimensions are for reference only]

ORDERING INFORMATION

LU10/LU11

LU10 ← **TYPE NO.**
LU10 - NORMALLY CLOSED (AUTO RESET)
LU11 - NORMALLY OPEN (AUTO RESET)

90 ← **OPERATING TEMP.**
90-90°C

L20 / L21 / L25 / L26 / LH25 / LH26 / L30 / L120 / L121 / L125 / L126 / L130

L20 ← **TYPE NO.**
L20 / L25 / LH25 / L120 / L125 - NORMALLY CLOSED (AUTO RESET)
L21 / L26 / LH26 / L121 / L126 - NORMALLY OPEN (AUTO RESET)
L30 / L130 - NORMALLY CLOSED (MANUAL RESET)

A ← **TYPE OF MOUNTING**
NO LETTER - STANDARD MOUNTING
A - BRASS ROUND STUD MOUNTING
B - BRASS HEX STUD MOUNTING

80 ← **OPERATING TEMP.**
80-80°C

Z ← **ANGLE OF TERMINALS**
X - 90°, Y - 45°, Z - 180°

ELMECH INDUSTRIES

32, Madhuban Industrial Estate, Mahakali Caves Road, Andheri (East), Mumbai - 400 093. India
☎ 91-22-2687 5083 / 2687 5053 ♦ Fax : 91-22-2687 5041 ♦ E-mail: info@elmi.in ♦ Web: www.elmi.in