

Single Pole Automatic Reset



L50: Normally Closed Rated at 16 Amps
L51: Normally Open Rated at 16 Amps
L70: Normally Closed Rated at 20 Amps
L71: Normally Open Rated at 20 Amps

Single Pole Manual Reset



L60: Normally Closed Rated at 16 Amps
L80: Normally Closed Rated at 20 Amps

Double Pole Automatic Reset



L150: Normally Closed Rated at 16 Amps
L151: Normally Open Rated at 16 Amps
L170: Normally Closed Rated at 20 Amps
L171: Normally Open Rated at 20 Amps

Double Pole Manual Reset



L160: Normally Closed Rated at 16 Amps
L180: Normally Closed Rated at 20 Amps

Single Pole Changeover

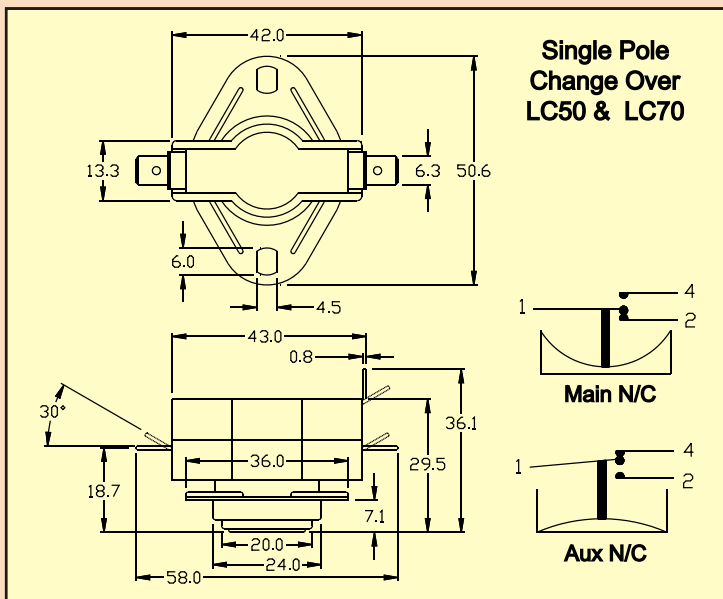
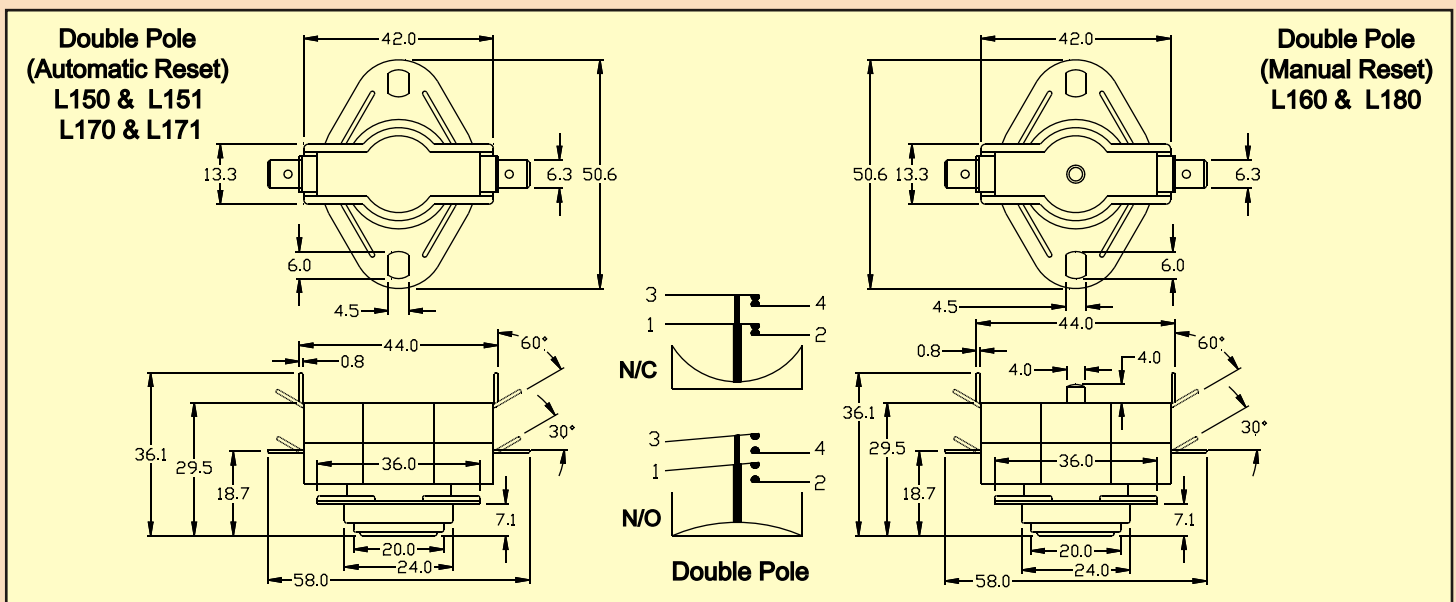
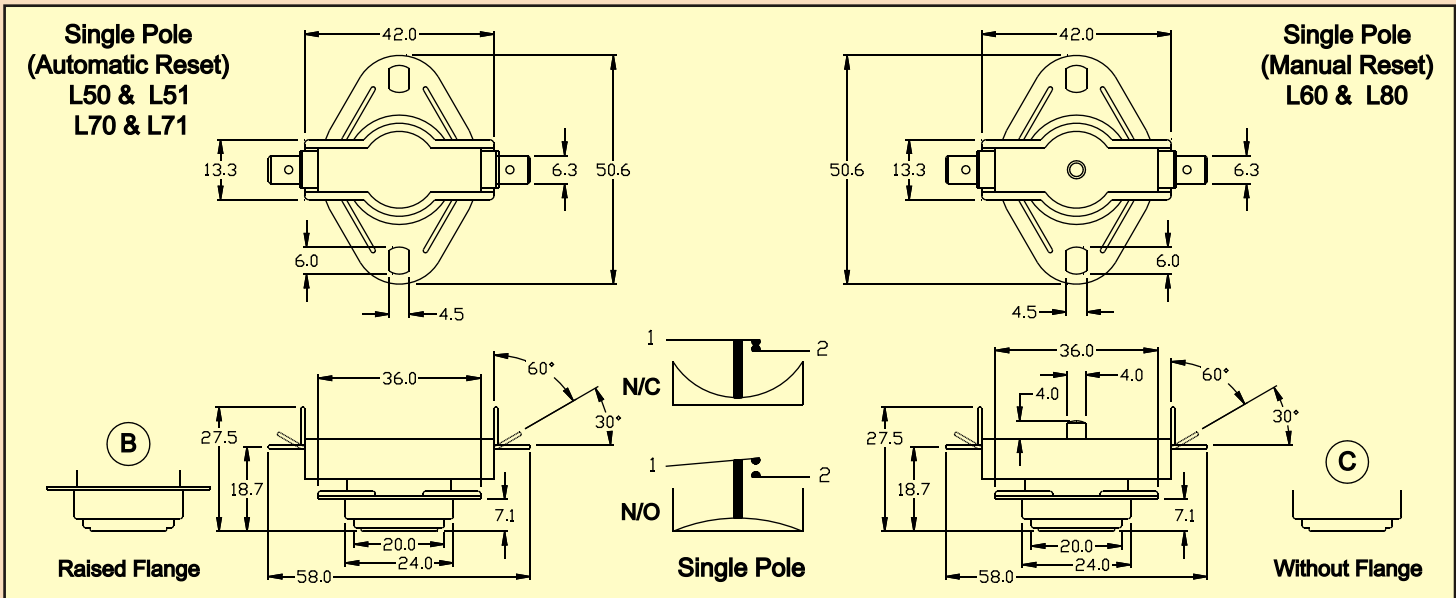


LC50: Normally Closed Rated at 16 Amps
LC70: Normally Closed Rated at 20 Amps

Applications :

- Boilers
- Instant Water Geysers
- Storage Water Geysers
- Dish Washers
- Washing Machines

We import the Disc for these Thermal Cut-Outs for better performance



Temperature Range	: 50 to 150°C (In increments of 10°C)
Current Rating	: 16Amps. & 20Amps.
Tolerance	: ±6% but at least ±7K
Differential	: 5 to 50°C
Mounting	: (B) Raised Flange : (C) Without Flange
Terminals	: Push on 6.3 x 8.0
Angle of Terminals	: X - 90° : Y - 45° : Z - 180°

Coding			
Type No. /	Temp. /	Mounting /	Angle of Terminal
e.g. L50	80	B	X

(Dimensions in mm are for reference only)

ELMECH INDUSTRIES